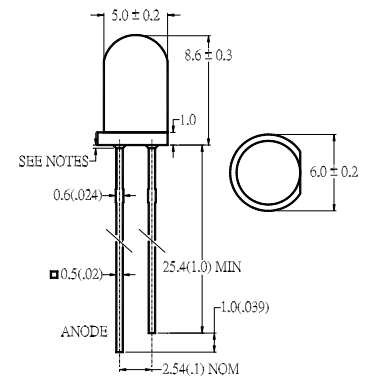


333



Part No.	Material	Emitter Color	Lens Type	Wave Length λ_p (nm)	At 20mA		View Angle $2\theta_{1/2}$ (deg)	Package Dimension
					Vf (V) Typ.	Iv (mcd) Typ.		
333UID-1	---	Red	Red Diffused	640	1.9	250	40	
333UGD	---	Green	Green Diffused	575	2.1	210	40	
333ZGD-5	---	Green	Green Diffused	525	3.2	1400	40	
333UYD-1	---	Yellow	Yellow Diffused	593	2	250	40	
333UOD-1	---	Orange	Orange Diffused	610	1.9	320	40	
333UBW-4	---	Blue	White Diffused	470	3.5	620	40	
333UWW-4	---	White	White Diffused	X=0.3 Y=0.3	3.5	1500	40	
333URC-2	---	Red	Water Clear	660	1.9	1200	16	
333UIC-1	---	Red	Water Clear	640	1.9	900	16	
333UIC-2	---	Red	Water Clear	640	1.9	1800	16	
333UIC-5	---	Red	Water Clear	640	1.9	5600	16	
333TSC-1	---	Red	Water Clear	630	2.2	6600	16	
333UGC-1	---	Green	Water Clear	568	2.1	700	16	
333ZGC-5	---	Pure Green	Water Clear	525	3.2	5200	16	
333XGC-5	---	Bluish Green	Water Clear	515	3.2	5400	16	
333UYC-1	---	Yellow	Water Clear	593	2	900	16	
333UYC-2	---	Yellow	Water Clear	593	2	1900	16	
333UYC-5	---	Yellow	Water Clear	593	2	5600	16	
333TYC-1	---	Yellow	Water Clear	590	2.3	6600	16	
333UOC-1	---	Orange	Water Clear	610	1.9	1400	16	
333UBC-2	---	Blue	Water Clear	470	3.5	2800	16	
333UWC-2	---	White	Water Clear	X=0.3 Y=0.3	3.5	6500	20	
333UBC-5	---	Blue	Water Clear	470	3.5	3500	16	
333UWC-5	---	White	Water Clear	X=0.3 Y=0.3	3.5	8600	20	
333UWC-9	---	White	Water Clear	X=0.3 Y=0.3	3.5	20000	20	



NOTES:

1. All dimensions are in millimeters.
2. Tolerance is +/- 0.2mm unless otherwise specified
3. Protruded resin under flange is 1.5mm MAX.
4. Specifications are subject to change without notice