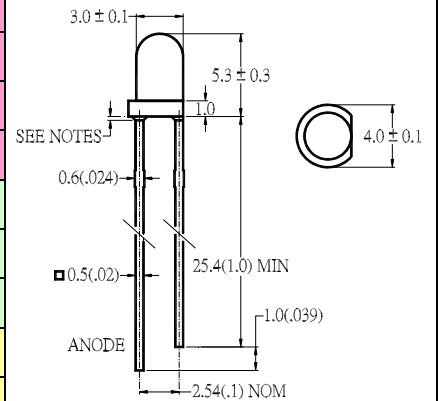


224



Part No.	Material	Emitter Color	Lens Type	Wave Length λ_p (nm)	At 20mA		View Angle $2\theta_{1/2}$ (deg)	Package Dimension
					Vf (V) Typ.	Iv (mcd) Typ.		
224UID-1	---	Red	Red Diffused	640	1.9	200	60	
224UGD-1	---	Green	Green Diffused	575	2.1	200	60	
224ZGD-5	---	Green	Green Diffused	525	3.2	1200	60	
224UYD-1	---	Yellow	Yellow Diffused	593	2	200	60	
224UOD-1	---	Orange	Orange Diffused	610	1.9	290	60	
224UBW-4	---	Blue	White Diffused	470	3.5	580	60	
224UWW-4	---	White	White Diffused	X=0.3 Y=0.3	3.5	1380	60	
224URC-2	---	Red	Water Clear	660	1.9	1000	25	
224UIC-1	---	Red	Water Clear	640	1.9	880	25	
224UIC-2	---	Red	Water Clear	640	1.9	1650	25	
224UIC-5	---	Red	Water Clear	640	1.9	5000	25	
224TSC-1	---	Red	Water Clear	630	2.2	6500	25	
224UGC-1	---	Green	Water Clear	568	2.1	650	25	
224ZGC-5	---	Pure Green	Water Clear	525	3.2	4800	25	
224XGC-5	---	Bluish Green	Water Clear	515	3.2	5280	25	
224UYC-1	---	Yellow	Water Clear	593	2	880	25	
224UYC-2	---	Yellow	Water Clear	593	2	1650	25	
224UYC-5	---	Yellow	Water Clear	593	2	5280	25	
224TYC-1	---	Yellow	Water Clear	590	2.3	6500	25	
224UOC-1	---	Orange	Water Clear	610	1.9	1200	25	
224UBC-2	---	Blue	Water Clear	470	3.5	1850	25	
224UWC-2	---	White	Water Clear	X=0.3 Y=0.3	3.5	4800	30	
224UBC-5	---	Blue	Water Clear	470	3.5	2300	25	
224UWC-5	---	White	Water Clear	X=0.3 Y=0.3	3.5	5600	30	
224UWC-9	---	White	Water Clear	X=0.3 Y=0.3	3.5	13000	30	



NOTES:

1. All dimensions are in millimeters.
2. Tolerance is +/- 0.2mm unless otherwise specified
3. Protruded resin under flange is 1.5mm MAX.
4. Specifications are subject to change without notice